

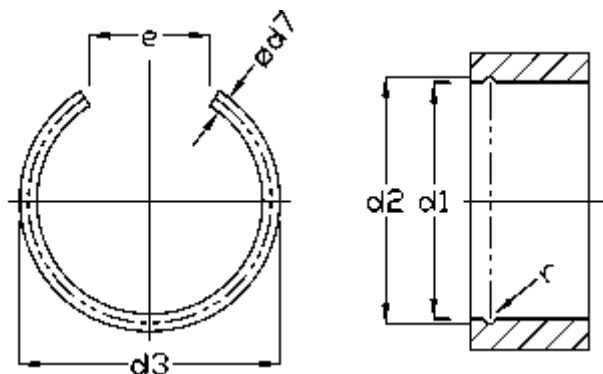
Data Sheet



Article number: 0129098

Description: Circlip RB 100 DIN 7993

Measures



d1	= 100
d2	= 103.20
d3	= 104.2
d7	= 3.2
Description	= RB 100
e	= 32
r	= 1.8
tol	= +0,15 -0,15

tol	= 1.2
Weight kg/1000	= 999.999